



TECHNICAL DATA SHEET

JUAL

CABLE FLASHING Ø160



PRODUCT DESCRIPTION

JUAL Cable Flashing Ø160

APPLICATION:

For secure lead-through of cables and pipes on flat roofs.
The Cable Flashing Ø160 is delivered with integrated membrane for installation on roofs with bitumen or foil membrane. Both the pipe and the top are equipped with an EPDM rubber edge. The top is detachable for easier cable and pipe adjustment.

MATERIAL:

Top: Aluminum with EPDM rubber edge
Pipe: Stainless steel EN 1.4401 (AISI 316) with EPDM rubber edge
Flange: Stainless steel EN 1.4301 (AISI 304)
Membrane: SBS or APP bitumen membrane as well as various types of Foil membranes are integrated from the factory.

Installation and application must be conducted in accordance with current industry standards and compatibility with the roof's membrane must be ensured.

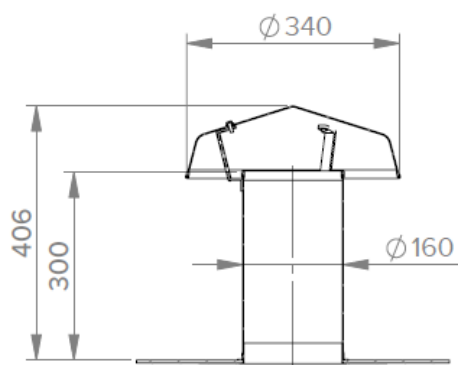
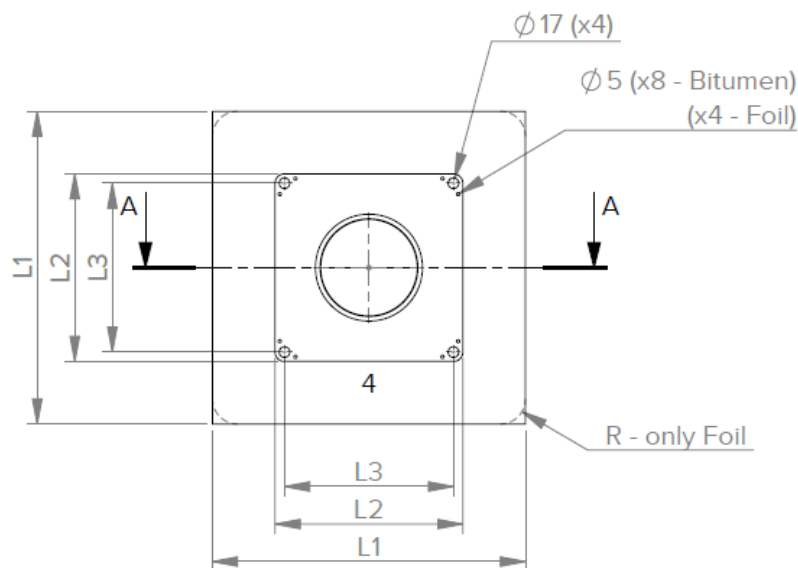
ARTICLE NUMBERS

TYPE:	ARTICLE NUMBER:	MEMBRANE:
JUAL Cable Flashing Ø160	220056-xxx*	* "xxx" is the membrane type Ex.: SBS = 107 APP = 114 Foil = 2xx List of membrane types is found at www.jual.dk



TECHNICAL DATA SHEET

TECHNICAL INFORMATION



A-A

TYPE:	L1:	L2:	L3:
SBS & APP	500	300	270
Foil	330 - 400*	230	200

* Depending on the foil type