



# TECHNICAL DATA SHEET

JUAL

## UNIVERSAL LEAF GRATE



### PRODUCT DESCRIPTION

#### *JUAL Universal Leaf Grate*

#### APPLICATIONS:

As universal leaf grate for all types of roof outlets.  
Fits outlets: Ø50 – Ø160 and Ø110 – Ø250 (XL).

#### MATERIALS:

Stainless steel AISI 304 / EN 1.4401.

Mounting bracket in stainless steel with rubber coating.

Installation and application must be conducted in accordance with current industry standards.

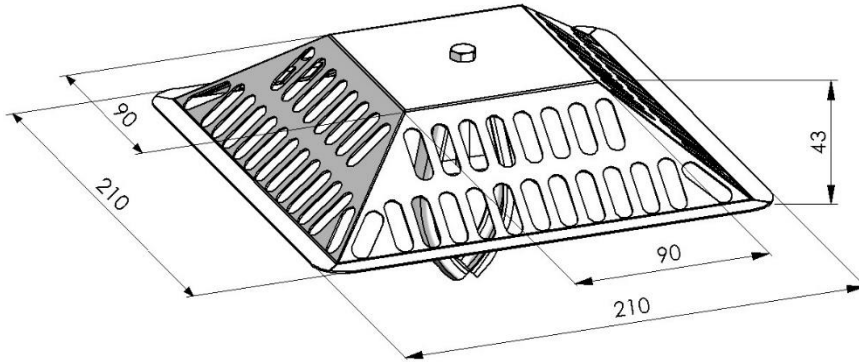
### ARTICLE NUMBERS

TYPE	FITS OUTLETS	ARTICLE NO.
JUAL Universal leaf grates	Ø50 – Ø160 mm	72000
JUAL Universal leaf grates XL	Ø110 – Ø250 mm	72000XL

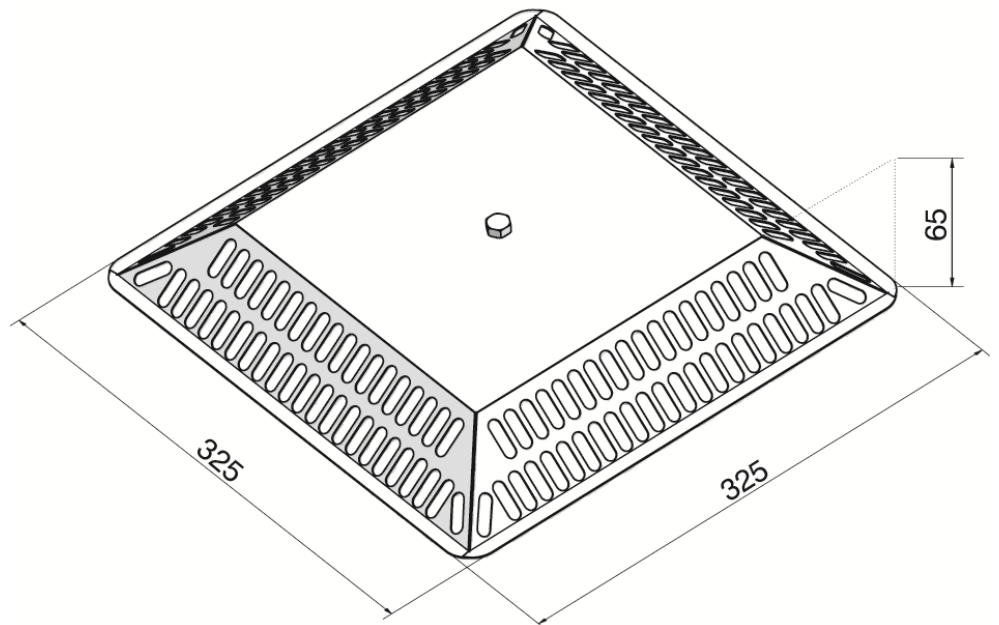


# TECHNICAL DATA SHEET

## TECHNICAL INFORMATION



JUAL Universal Leaf Grate



JUAL Universal Leaf Grate XL

ROOF OUTLET DIMENSION	ROOF OUTLET CAPACITY WHEN USING THE LEAF GRATE
Ø50	3,0 L/SEC.
Ø63	2,0 L/SEC.
Ø75	2,8 L/SEC.
Ø90	3,6 L/SEC.
Ø110	4,2 L/SEC.
Ø125	8,5 L/SEC.

Applies to both sizes.

The capacity is not available for roof outlets larger than Ø125.