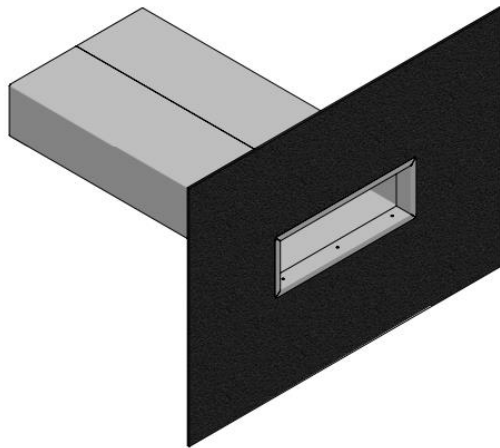
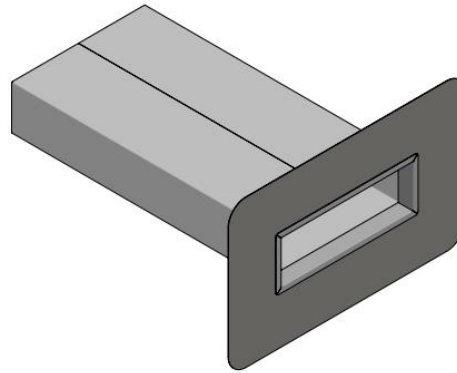


JUAL

## RECTANGULAR ROOF OUTLET – PLANE FLANGE



With bituminous roof membrane



With synthetic roof membrane

### PRODUCT DESCRIPTION

#### *JUAL Rectangular Roof Outlet – Plane flange*

##### APPLICATION:

To be installed in the parapet as emergency outlet in a level above the roof surface.

NOTICE: In case the standard outlet pipe is too short to penetrate the facade of the building, the horizontal outlet pipe can be extended by welding at JUAL.

##### MATERIALS:

Pipe and protection ring in acid-proof stainless steel AISI 316/EN 1.4401.

Flange in stainless steel AISI 304/EN 1.4301

Roof membrane factory integrated: Bituminous membrane SBS/APP etc. and Synthetic roof membranes.

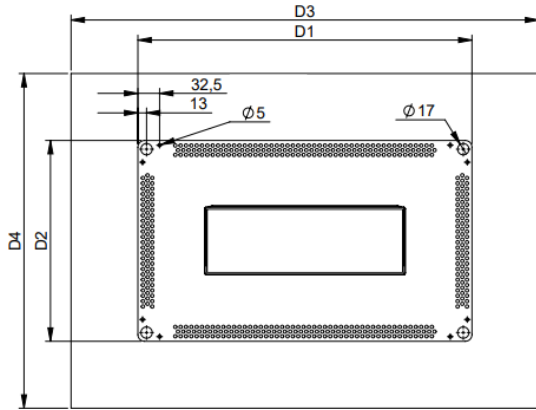
Installation and application must be conducted in accordance with current industry standards and compatibility with the membrane of the roof must be secured.



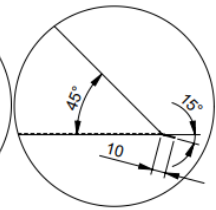
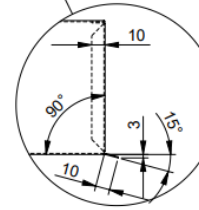
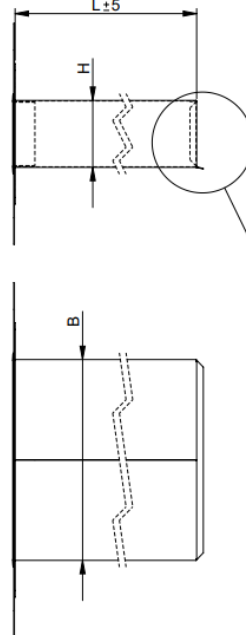
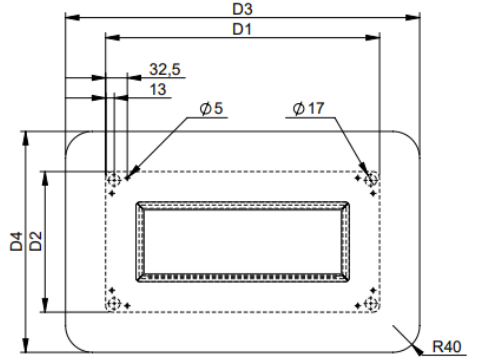
# TECHNICAL DATA SHEET

## TECHNICAL INFORMATION

With Bituminous Roof Membrane

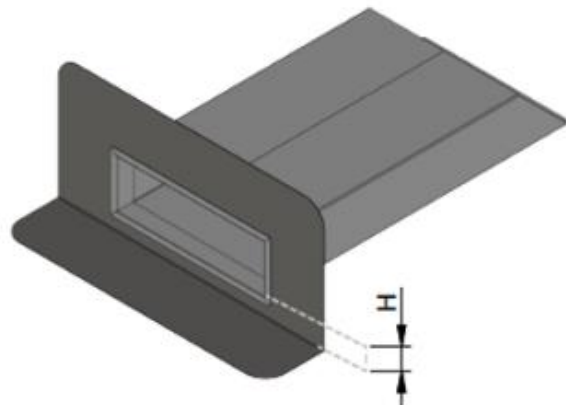
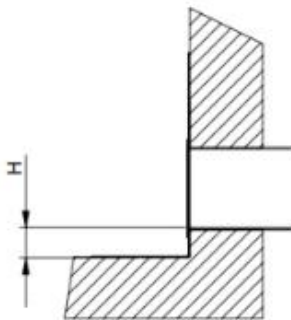


With synthetic Roof Membrane



Form "66"  
90° Pipe end  
shape

Form "67"  
90° Pipe end  
shape



Flange can be ordered factory bent 90° in desired height" H"



# TECHNICAL DATA SHEET

## ARTICLE NUMBERS

Article no.		Dimension BxHxL	D1		D2		D3		D4		*Kg	
Form 66 90° Pipe end	Form 67 45° Pipe end		Bitum. 1XX	Synt. 2XX	Bitum. 1XX	Synt. 2XX	Bitum. 1XX	Synt. 2XX	Bitum. 1XX	Synt. 2XX	Bitum.	Synt.
660770560400-xxx	670770560400-xxx	77x56x400	277	±S	230	±S	500	±S	500	±S	3	±S
660770560600-xxx	670770560600-xxx	77x56x600									3,9	
660770561000-xxx	670770561000-xxx	77x56x1000									3,5	
660950560400-xxx	670950560400-xxx	95x56x400	295	±S	230	±S	500	±S	500	±S	3,7	±S
660950560600-xxx	670950560600-xxx	95x56x600									3	
660770561000-xxx	670770561000-xxx	95x56x1000									3,8	
661500500400-xxx	671500500400-xxx	150x50x400	350	±S	250	±S	900	±S	500	±S	3,3	±S
661500500600-xxx	671500500600-xxx	150x50x600									3,8	
661500501000-xxx	671500501000-xxx	150x50x1000									4,8	
661501000400-xxx	671501000400-xxx	150x100x400	350	±S	300	±S	900	±S	500	±S	3,6	±S
661501000600-xxx	671501000600-xxx	150x100x600									4,3	
661501001000-xxx	671501001000-xxx	150x100x1000									5,5	
662000500400-xxx	672000500400-xxx	200x50x400	400	±S	250	±S	900	±S	500	±S	3,7	±S
662000500600-xxx	672000500600-xxx	200x50x600									4,3	
662000501000-xxx	672000501000-xxx	200x50x1000									5,6	
662150070400-xxx	672150070400-xxx	215x70x400	415	325	270	180	700	445	500	298	4,1	3
662150700600-xxx	672150700600-xxx	215x70x600									4,9	3,7
662150701000-xxx	672150701000-xxx	215x70x1000									6,4	5,1
662400500400-xxx	672400500400-xxx	240x50x400	440	±S	250	±S	700	±S	500	±S	4,2	±S
662400500600-xxx	672400500600-xxx	240x50x600									5	
662400501000-xxx	672400501000-xxx	240x50x1000									6,5	
663001000400-xxx	673001000400-xxx	300x100x400	500	410	300	210	900	530	500	328	5	4
663001000600-xxx	673001000600-xxx	300x100x600									6	5
663001001000-xxx	673001001000-xxx	300x100x1000									8	7
664001000400-xxx	674001000400-xxx	400x100x400	600	±S	300	±S	900	±S	500	±S	6,2	±S
664001000600-xxx	674001000600-xxx	400x100x600									7,4	
664001001000-xxx	674001001000-xxx	400x100x1000									10	
660770560400-xxx	670770560400-xxx	500x100x400	700	610	300	210	900	730	500	328	6,8	6
660770560600-xxx	670770560600-xxx	500x100x600									8,4	7,5
660770561000-xxx	670770561000-xxx	500x100x1000									11,5	10,5

Code for Roof Membrane typer: 1xx & 2xx  
Membrane on [www.jual.dk](http://www.jual.dk)

\* Weight for SBS-Bituminous Membrane and Synthetic membrane Alcorplan.

Flange can be delivered factory bent 90° in desired height.

±S: No synthetic Roof Membrane in this size

## ACCESSORIES

### LEAF GRATE

JUAL recommend installation of leaf grates which must be checked / cleaned at appropriate intervals. Leaf grates are to be ordered separately (Article number 72000HR - (Pipe width)).

