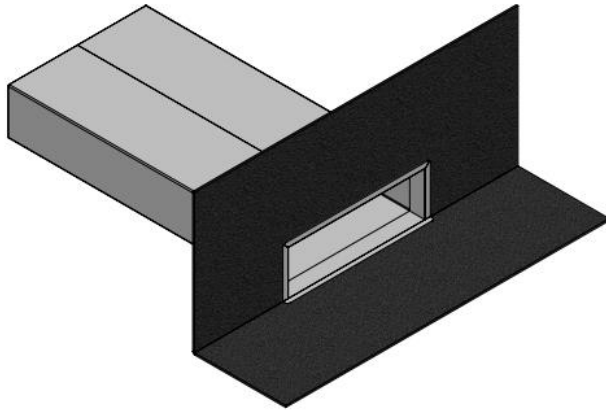




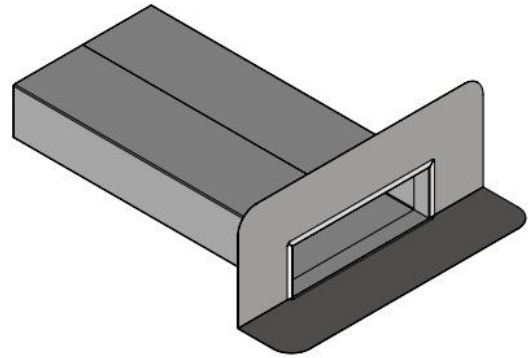
# TECHNICAL DATA SHEET

JUAL

## RECTANGULAR ROOF OUTLET – 90° BENT FLANGE



With bituminous roof membrane



With synthetic roof membrane

### PRODUCT DESCRIPTION

#### *JUAL Rectangular Roof Outlet – 90° bent flange*

##### APPLICATION:

For drainage of flat roofs with bitumen membrane.

Made with 90° bent flange for installation at roof level.

NOTICE: In case the standard outlet pipe is too short to penetrate the facade of the building, the horizontal outlet pipe can be extended by welding at JUAL

##### MATERIALS:

Pipe and protection ring in acid-proof stainless steel AISI 316/EN 1.4401.

Flange in stainless steel AISI 304/EN 1.4301

Roof membrane factory integrated: Bituminous membrane SBS/APP etc. and synthetic roof membranes.

Installation and application must be conducted in accordance with current industry standards and compatibility with the membrane of the roof must be secured.

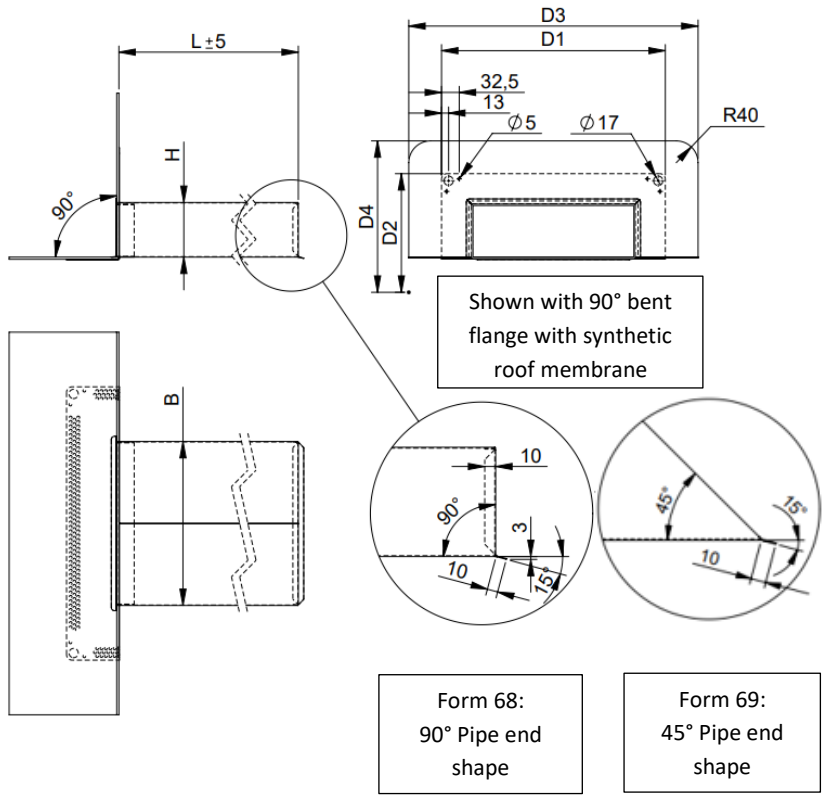


# TECHNICAL DATA SHEET

## TECHNICAL INFORMATION



Show with plane flange with bituminous roof membrane



Shown with 90° bent flange with synthetic roof membrane

Form 68:  
90° Pipe end shape

Form 69:  
45° Pipe end shape



# TECHNICAL DATA SHEET

## ARTICLE NUMBERS

Article no.		Dimension BxHxL	D1		D2		D3		D4		*Kg	
Form 68 90° Pipe end	Form 69 45° Pipe end		Bitum. 1XX	Synt. 2XX	Bitum. 1XX	Synt. 2XX	Bitum. 1XX	Synt. 2XX	Bitum. 1XX	Synt. 2XX	Bitum.	Synt.
680770560400-xxx	690770560400-xxx	77x56x400	277	±S	230	±S	500	±S	500	±S	3	±S
680770560600-xxx	690770560600-xxx	77x56x600									3,9	
680770561000-xxx	690770561000-xxx	77x56x1000									3,5	
680950560400-xxx	690950560400-xxx	95x56x400	295	±S	230	±S	500	±S	500	±S	3,7	±S
680950560600-xxx	690950560600-xxx	95x56x600									3	
680770561000-xxx	690770561000-xxx	95x56x1000									3,8	
681500500400-xxx	691500500400-xxx	150x50x400	350	±S	250	±S	900	±S	500	±S	3,3	±S
681500500600-xxx	691500500600-xxx	150x50x600									3,8	
681500501000-xxx	691500501000-xxx	150x50x1000									4,8	
681501000400-xxx	691501000400-xxx	150x100x400	350	±S	300	±S	900	±S	500	±S	3,6	±S
681501000600-xxx	691501000600-xxx	150x100x600									4,3	
681501001000-xxx	691501001000-xxx	150x100x1000									5,5	
682000500400-xxx	692000500400-xxx	200x50x400	400	±S	250	±S	900	±S	500	±S	3,7	±S
682000500600-xxx	692000500600-xxx	200x50x600									4,3	
682000501000-xxx	692000501000-xxx	200x50x1000									5,6	
682150070400-xxx	692150070400-xxx	215x70x400	415	325	270	180	700	445	500	298	4,1	3
682150700600-xxx	692150700600-xxx	215x70x600									4,9	3,7
682150701000-xxx	692150701000-xxx	215x70x1000									6,4	5,1
682400500400-xxx	692400500400-xxx	240x50x400	440	±S	250	±S	700	±S	500	±S	4,2	±S
682400500600-xxx	692400500600-xxx	240x50x600									5	
682400501000-xxx	692400501000-xxx	240x50x1000									6,5	
683001000400-xxx	693001000400-xxx	300x100x400	500	410	300	210	900	530	500	328	5	4
683001000600-xxx	693001000600-xxx	300x100x600									6	5
683001001000-xxx	693001001000-xxx	300x100x1000									8	7
684001000400-xxx	694001000400-xxx	400x100x400	600	±S	300	±S	900	±S	500	±S	6,2	±S
684001000600-xxx	694001000600-xxx	400x100x600									7,4	
684001001000-xxx	694001001000-xxx	400x100x1000									10	
680770560400-xxx	690770560400-xxx	500x100x400	700	610	300	210	900	730	500	328	6,8	6
680770560600-xxx	690770560600-xxx	500x100x600									8,4	7,5
680770561000-xxx	690770561000-xxx	500x100x1000									11,5	10,5

Code for Roof Membrane typer: 1xx & 2xx  
Membrane on [www.jual.dk](http://www.jual.dk)

\* Weight for SBS-Bituminous Membrane and Synthetic membrane Alcorplan.

Flange can be delivered factory bent 90° in desired height.

±S: No synthetic Roof Membrane in this size

## ACCESSORIES

### LEAF GRATE

JUAL recommend installation of leaf grates which must be checked / cleaned at appropriate intervals.

Leaf grates are to be ordered separately (Article number 72000HR - (Pipe width)).

